

# Datasheet

## Dynamex LED Exit



CAT. NO. 659536LI, 659537LI, 659538LI, 659539LI, 659540LI, 659541LI, 659542LI, 659543LI, 659544LI, 659545LI, 659546LI, 659547LI, 659548LI, 659549LI, 659550LI



Positive Mode



Normal Mode



Negative Mode

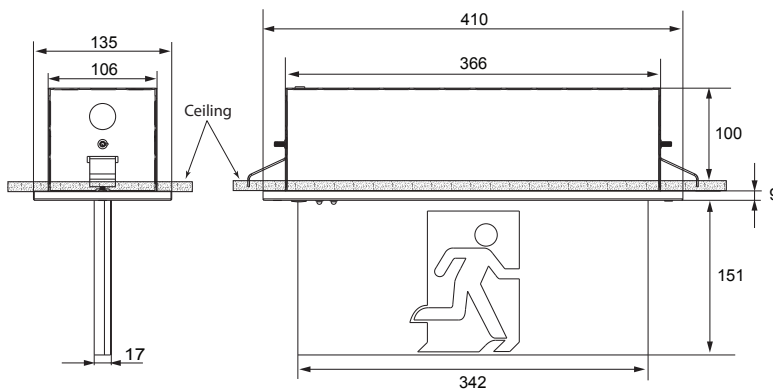
<b>Operation Mode</b>	Maintained with Positive Mode and Negative Mode
<b>Nominal Input Voltage</b>	230 - 240 V a.c. 50 Hz
<b>Voltage for Dynamic Terminals Input</b>	0.9-1.3 V
<b>Light Source</b>	LED
<b>Battery</b>	Li-ion 1.5 Ah, 12.8 V
<b>Operating Temperature</b>	10° C to 40° C
<b>Power Consumption</b>	Up to 14 W (Positive and Negative Mode) Up to 8 W (Normal Mode)
<b>Inrush Current</b>	16.5 A
<b>Body Construction</b>	White powder coated and Zinc Steel
<b>Diffuser</b>	Inner: High quality Acrylic Outer: Screen printed medium density opal acrylic
<b>IP Rating</b>	IP20
<b>Compliance</b>	AS/NZS 60598, AS/NZS 2293 (Normal Mode)
<b>Product Marking</b>	

## FEATURES

- 3-in-one Dynamic Exit Sign with Normal, Positive and Negative Modes.
- Slim edge light design.
- Robust and easy to install.
- iSmart™ temperature sensing technology for the LIION battery.
- Electronics designed to lengthen the life of the battery, minimising maintenance costs.
- Environmentally friendly battery.
- Available in three installation options: Recessed, Suspended and Surface Mount.
- Electrical interface to be a normally open or closed, non-latched, voltage free contact from the fire panel.
- 5 Year Warranty.
- Designed and Manufactured in Australia.

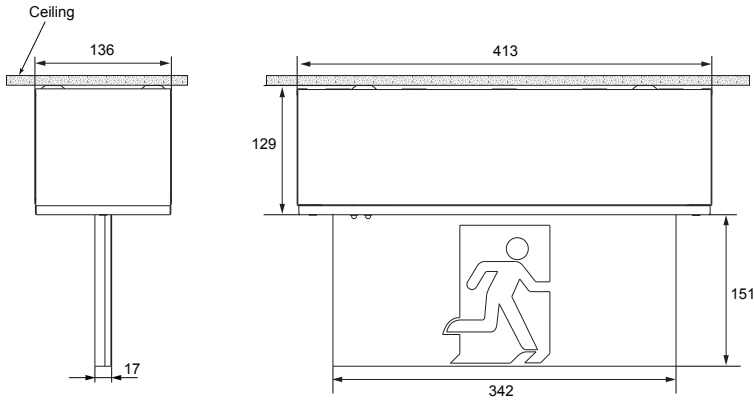
## DIMENSIONS

Recessed:

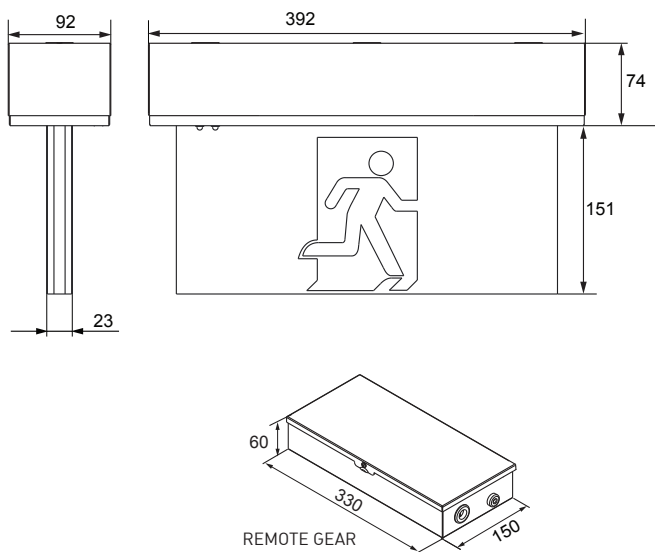


**Note:** All dimensions are in mm.

Surface Mounted:



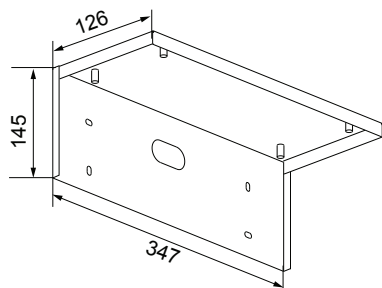
Suspension:



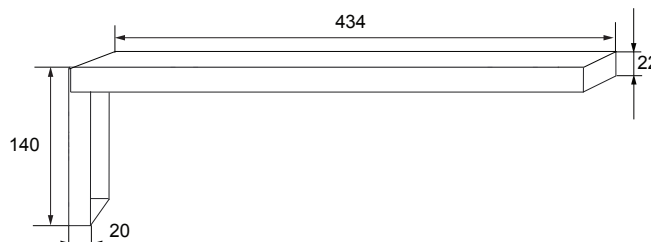
\*Dynamex Rod Suspension will require a  $\varnothing 25$  mm diameter rod kit (not included and is required) to allow the 10 m supplied cable to feed through and terminate at the Exit sign head.

**Note:** All dimensions are in mm.

## Wall Bracket Accessory



## L - Bracket accessory:



**Note:** All dimensions are in mm.

Cat. No.	Description	Cat. No.	Description	Cat. No.	Description	No. of inputs*
<b>Recessed</b>		<b>Surface mounted</b>		<b>Suspended</b>		
659536LI	DYNAMEX SS RMS LI	659541LI	DYNAMEX SS RMS LI	659546LI	DYNAMEX SS RMS LI	2
659537LI	DYNAMEX SS RML LI	659542LI	DYNAMEX SS RML LI	659547LI	DYNAMEX SS RML LI	2
659538LI	DYNAMEX SS RMR LI	659543LI	DYNAMEX SS RMR LI	659548LI	DYNAMEX SS RMR LI	2
659539LI	DYNAMEX DS RMS LI	659544LI	DYNAMEX DS RMS LI	659549LI	DYNAMEX DS RMS LI	4
659540LI	DYNAMEX DS RMLR LI	659545LI	DYNAMEX DS RMLR LI	659550LI	DYNAMEX DS RMLR LI	4
<b>Accessories</b>						
659457	DYNAMEX LED L- BRACKET WHITE					
659458	DYNAMEX WALL BRACKET WHITE					

RMS = Running Man Straight, RML = Running Man Left, RMR = Running Man Right, RMLR = Running Man Left/Right, DS = Double-Sided, SS = Single-Sided, LI = Lithium battery

\* Refer to the Dynamex LED power supply for more details.

**Note:** Power supply (659456) required and has to be ordered separately.

Legrand - Australia  
1300 369 777  
www.legrand.com.au  
ABN 31 000 102 661

Legrand - New Zealand  
0800 476 009  
www.legrand.co.nz

Refer to your group buying office, Legrand Sales Representative or Legrand Sales Office for pricing.

Please note: specifications are subject to change without prior notice.